

"Simply"

ALUMINUM CASE FOR GLASS DOORS



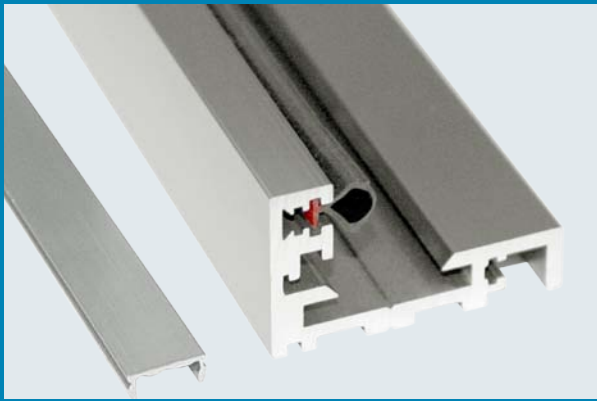
The New Aluminum case INAL[®] "Simply" series by INTERMETAL SA, for internal glass door and side fixed glass constitutes a minimal solution for easy and fast assembly.

The optimum option for openings in which high level of waterproofness is required. A minimum sized profile with a lower upstand for Shower, Hammam and Sauna door applications.

UNIQUE designed profile for minimal aesthetic applications.

CASE FINISHINGS

Natural anodised .01
Satin anodised .25
RAL Powder coating [UPON REQUEST] .21



Designers - Manufacturers

DETAIL CORNER CONNECTION
(EXTERNAL)



DETAIL CORNER CONNECTION
(INTERNAL)



DETAIL SIDE VIEW

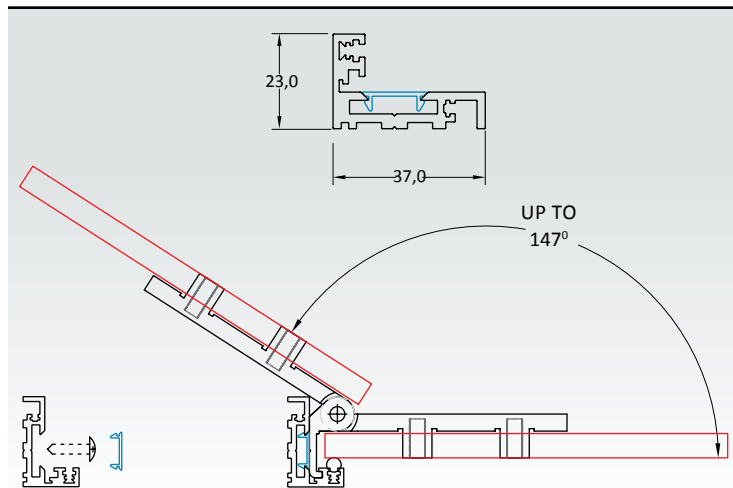


SEALING RUBBER GASKET



- ALUMINUM CASE FOR GLASS DOORS
- ALUMINUM PROFILE FOR INTERNAL GLASS PARTITIONS

PLAN VIEW



INAL® hinges with the same finishing of the case profiles, that allow door opening up to 147°, are designed to safely support the glass.

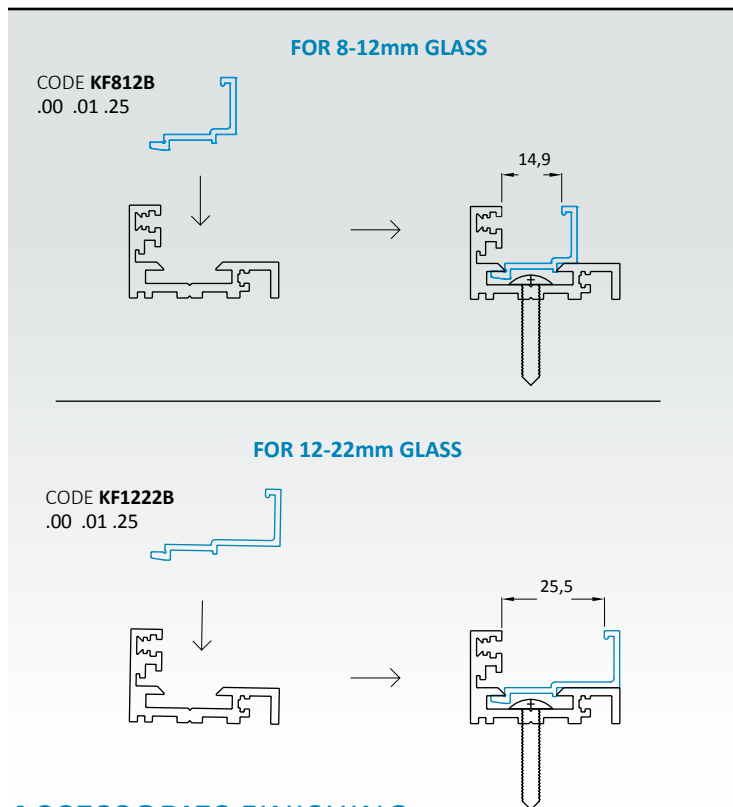
Additional rubber gasket fitted around the case to provide sealing and silent closing.

With distinctive design that suits in the majority of internal spaces.

For a perfect final effect we recommend the following INAL® locks, door handles and latches.

"Simply" ALUMINUM CASE FOR GLASS DOORS 03_2018

"Simply"
ALUMINUM PROFILE FOR FIXED GLASS



ACCESSORIES

SAFETY SUPPORT BASE	NEW	NEW		
170.BB Hinge Glarit G-W Big Base .01 .21 .25	170V.BB Vertical Hinge Glarit G-W .01 .25	170.30.BB Hinge Glarit G-W 30mm .01 .25	NEW	
280WC WC Meroni Lock .01 .13 .21 GREY	903G Bathroom Lock with Indication .13 .14	910 Door catcher with knob .01 .25	K100-10 Door Ball Catcher	
609	628.30	622.30	604.40	629.32

ACCESSORIES FINISHING

Natural anodised **.01**, Satin anodised **.25**
RAL powder coating **.21**,
Stainless steel Mirror **.13**, Stainless steel Satin **.14**
Zinc Alloy Chrome Satin **.16**

! Combine
THE GLASS DOOR WITH INAL® HANDLES [GLASS ACCESSORIES],
"Glass Accessories" CATALOGUE

INTERMETAL BUILDING INDUSTRIAL EQUIPMENT
www.inal.gr
intermetal@inal.gr

HEADQUARTERS/FACTORY: 6, Apolloniou str., Koropi 194 00, Attica-Greece, Tel.: +30 210 6620 400, Fax: +30 210 6620 401
STORES: 10, Grigoriou Lampraki str., Kallithea 176 71, Athens-Greece, Tel: +30 210 9576 382, Fax: +30 210 9576 473
194, Dimokratias Av., Menidi 136 71, Attica-Greece, Tel: +30 210 2388 066, Fax: +30 210 2388 066



**ISO 9001 : 2008
CERTIFIED**